



**KPM-885**

**Articulated tilt and swivel bracket  
for LED/LCD and plasma displays  
User guide**



**Introduction:**

Thank you for purchasing the KPM-885 Articulated Tilt and Swivel Bracket. This product is shipped with all proper installation hardware and components. Upon opening the box, make sure that none of these parts are missing and/or damaged before beginning installation.

**1. - Hardware kit:**

Label	Item	Quantity	
	Wall mount assembly	1	
A	M4×20mm screw	4	
B	M6×20mm screw	4	
C	M8×25mm screw	4	
D	M6 flat washer	4	
E	M8 lag bolt	6	
F	M8 concrete anchor	6	
G1	M8 flat washer	6	
G2	Bubble level	1	
H	Spacers	4	

**IMPORTANT:**

At least two qualified people should perform the assembly procedure. Personal injury and/or property damage can result from dropping or mishandling the display.

**Maximum flat panel weight: 50kg/110lb**

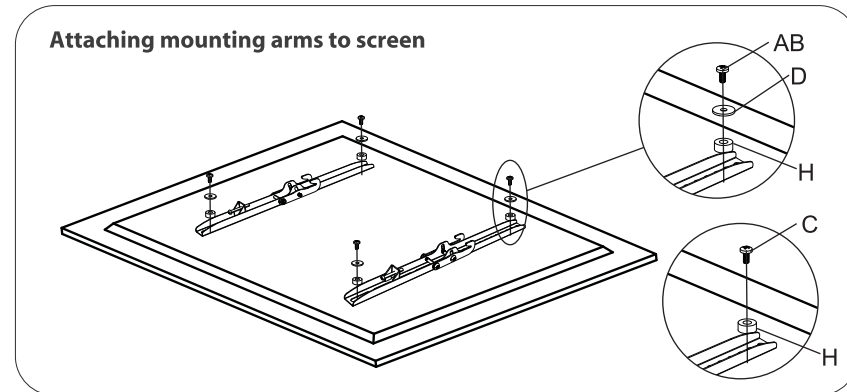
The wall structure must be capable of supporting at least five times the weight of the flat panel. Otherwise, the wall structure must be reinforced.

**2. - WARNING!**

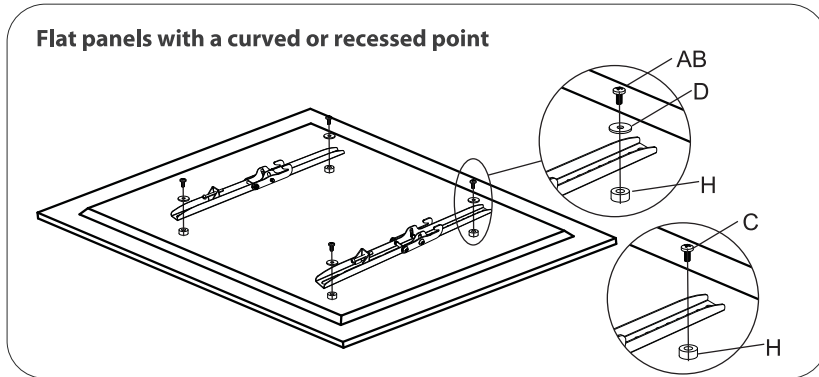
- Prior to installing this product, you must read all instructions thoroughly. Keep these installation instructions in an easily accessible location for future reference.
- Safety measures must be practiced at all times during the assembly of this product. Use proper safety equipment and tools for the assembly procedure to prevent personal injury.
- Klip Xtreme does not warrant against damage caused by the use of any Klip Xtreme mounts for purposes other than those for which it was designed or damage caused by unauthorized attachments or modifications, and is not responsible for any damages, claims, demands, suits, actions or causes of action of whatever kind resulting from, arising out of or in any manner relating to any such use, attachments or modifications.

**3. -Flat panel assembly**

1. Open package and review contents.
2. Place your flat panel screen-side down on a soft, even surface, and identify the threaded mounting points that are located on the back of the flat panel.
3. Determine the correct screw size (A, B or C) by carefully inserting a straw or toothpick, and mark the depth of the mounting point. Please note that flat washers are not necessary when using M8 screws (C).



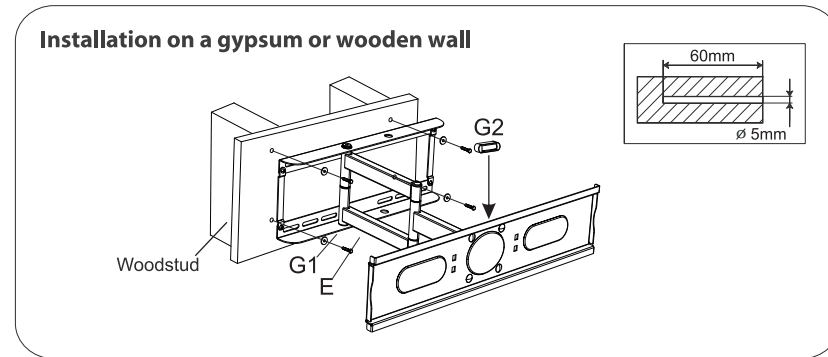
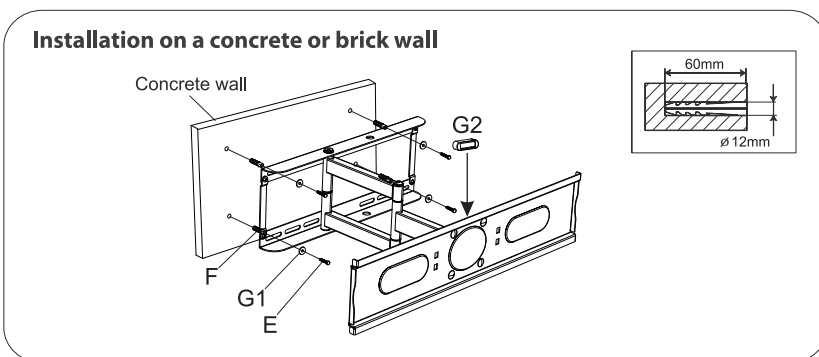
4. If your flat panel has a curved back or a recessed mounting point, spacers must be placed between the mounting arm and the flat panel to compensate the difference in depth.



5. Attach the mounting arms to the flat panel by aligning the holes with the threaded inserts on the back of the display.
6. Use the selected screws and the flat washers (if applicable) to secure both arms to the display. Be careful not to over-tighten the screws.

#### 4. - Wall mount

1. Measure the wall and mark mounting spots.
2. For gypsum or wooden walls, first locate studs in the wall. You may use a stud finder to determine the center of each stud.
3. Next, use the wall plate as a template to mark the first two found stud positions on the wall.
4. Make sure the mounting slots are aligned vertically and centered on the stud.
5. Drill pilot holes using a drill bit.
6. Insert lag bolts and drive firmly into the wall.



#### 5: -Final assembly

1. Hang the flat panel assembly onto the wall plate.
2. Tighten the screws in both mounting arms to securely fasten the display onto the wall.
3. Use the side bolts to firmly secure the flat panel at the desired angle, as shown in the figure below.

